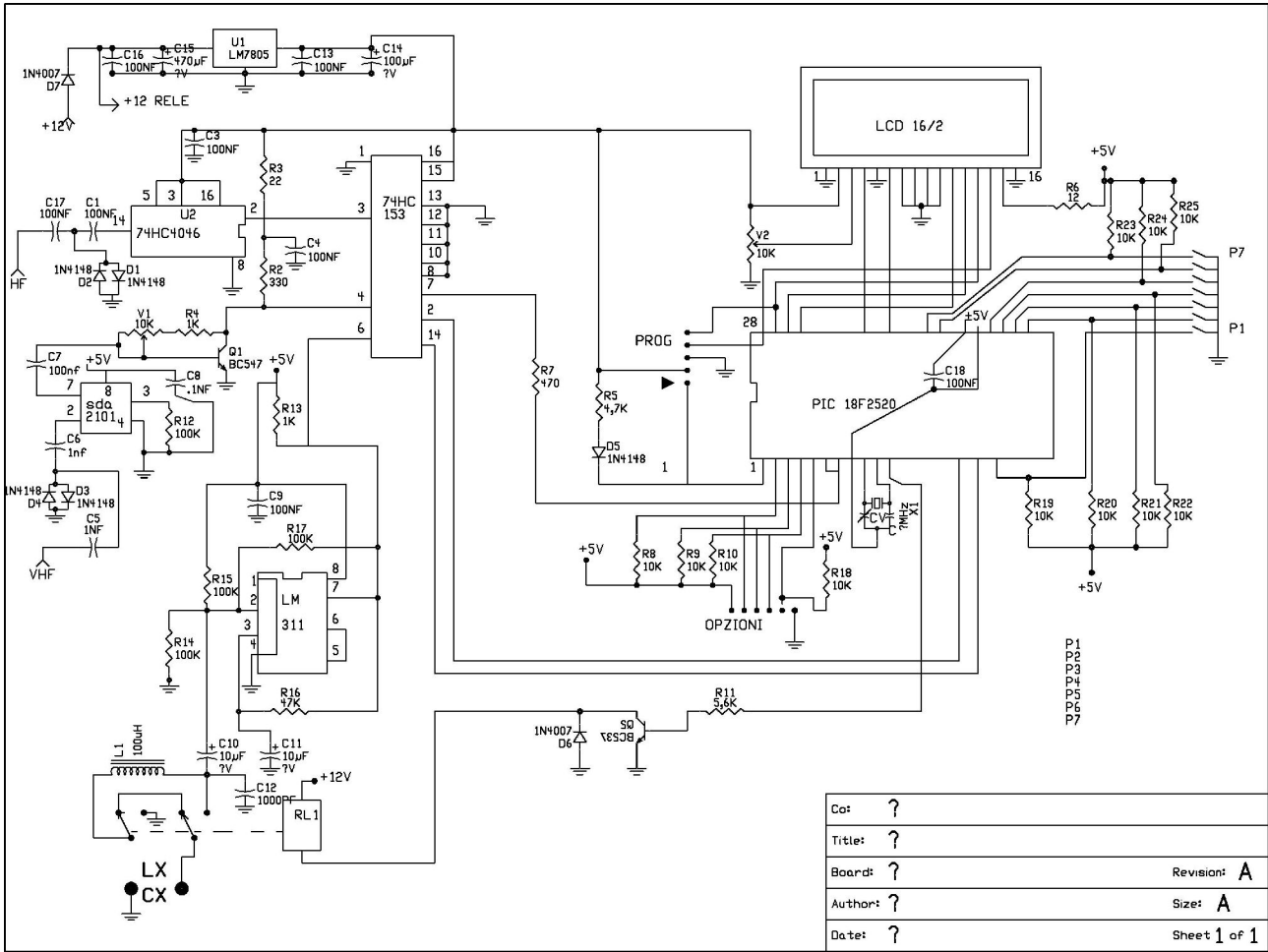


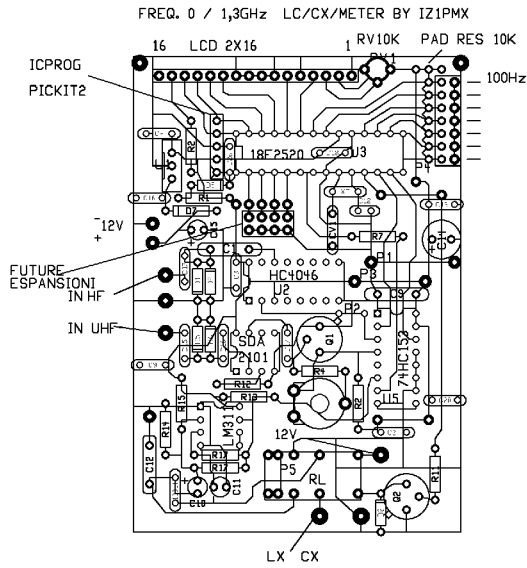
Frequenzimetro induttanzimetro capacimetro





Drill tape data			
Tool Code	Hole Size	Sym bol	Hole Count

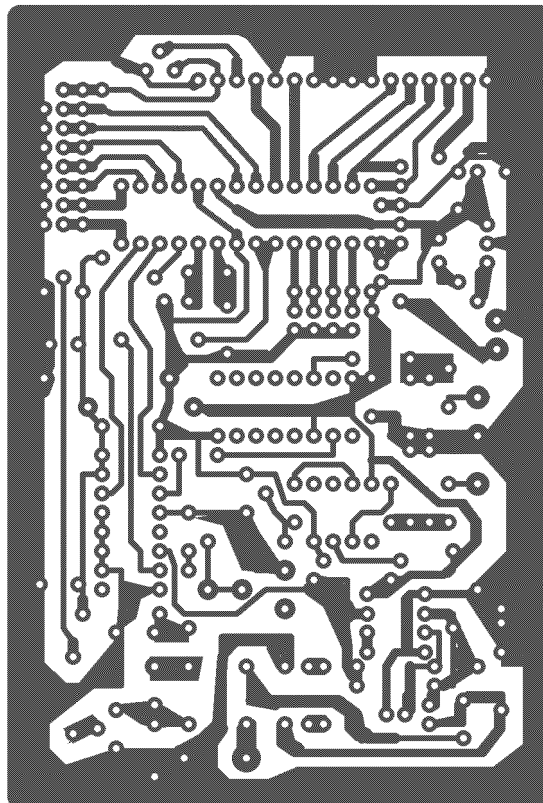
Board type: FR4
 Board thickness: .062"
 Copper weight: 2oz
 Layer count: 2
 All dimensions are in inches.
 Board should have green solder mask over bare copper (SMOBC) with white silk screening on top.



- R13 100K
- R14 100K
- R4 1K
- R5 100K
- R10 47K
- R11 100K
- C21 C22 10UF TANTALIO
- RV2 22K
- Z1 100UH
- C23 1000 PF 1%
- Q2 Q3 BC237

Co:	?	
Title:	?	
Board:	?	Revision: A
Drawn:	?	Size: A
Date:	?	Sheet 1 of 1

LATO RAME FX/LX/CX METER



Induttanzimetro
LX=40.887 [uH]

UP



SEL



CAL



DWN



HF VHF



L/C X



Capacimetro
CX=14.55 nF

UP



SEL



CAL



DWN



HF VHF



L/C X





FM DUAL BANDER TH-F7

L
145.500
430.162 104

KENWOOD

1	LOW	2	MAN	3	A/B	4	MEM
5	INFO	6	SQ	7	BAL	8	WFO
9	TSEL	0	REV	1	MR	2	MR
3	LOCK	4	STEP	5	MR	6	MR
7	MEM	8	FINE	9	ENT	0	CALL

Counter
F>145.500.1 UHF

UP SEL CAL

WN

HF

L/C X